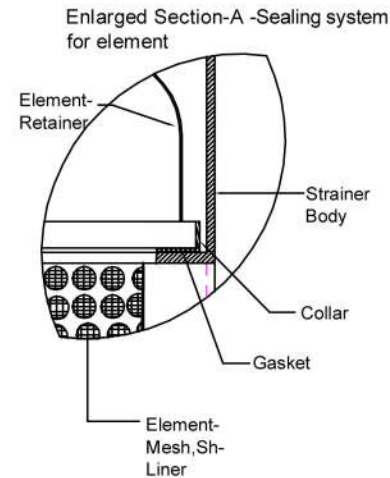
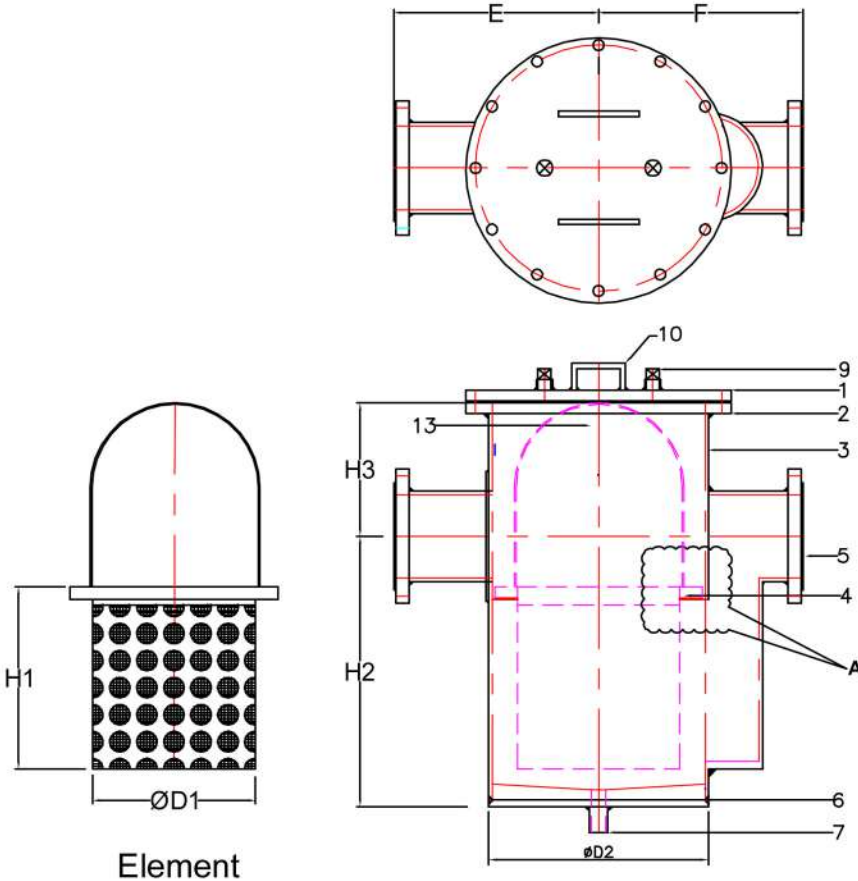


- Note : 1. All dimensions in mm & For reference only
 2. Design Consideration-ASME
 3. Testing consideration-API-598-15 Kg./Sq.Cms
 4. @400% Free flow area-Considering-16% Opening
 5. End Connections-ANSI-B 16.5 Class-150
 6. Mesh-Lining-From inside

DIMENSION-TABLE

200	250	350	320	775	825	165	160	
150	250	350	260	500	630	135	96	
125	195	300	220	460	630	135	86	
100	165	235	160	315	430	110	53.5	
80	150	185	155	240	350	100	21	
63	140	175	100	200	315	100	21	
50	140	175	100	155	245	90	19	
40	105	125	80	120	185	70	14.4	
25	105	110	55	90	128	55	6.65	
Size mm NB	E	F	ØD1	H1	H2	H3	Wt Kgs	



MATERIAL OF CONSTRUCTION

12	NUTS	H.T.	AISI-304	
11	BOLTS	H.T.	AISI-304	
10	HANDLE	MS	AISI-304	
9	COUPLING	MS	AISI-304	AISI-316
8	IN-LET	MS	AISI-304	AISI-316
7	DRAIN	MS	AISI-304	AISI-316
6	BOTTOM	MS	AISI-304	AISI-316
5	OUT-LET	MS	AISI-304	AISI-316
4	ELEMENT		AISI-304	AISI-316
3	BODY	MS	AISI-304	AISI-316
2	BODY-FLANGE	MS	AISI-304	AISI-316
1	COVER	MS	AISI-304	AISI-316
P.No	PART NAME		M.O.C	REM

	NAME	DATE
DRN	AMP	28-11-10
DGN	PMM	28-11-10
CHD	PMM	28-11-19
APPR		
SCALE		

PROCESS EQUIPMENT CORPORATION
 AHMEDABAD-382445-INDIA

Client
 Client
 Model :STR-1111
 Drg No :STR-1111-CS-304
 File:D/Design/Products/STR-1111

1	04/20	Routine Review	PM
No	Date	MATTER	By
REVISION STATUS			

Doc.No.
 ANCHOR®
 BASKET STRAINER
 FABRICATED